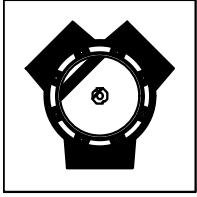
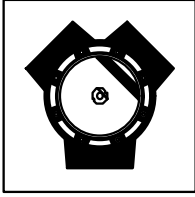


## INTERNAL DIVERTER POSITIONS

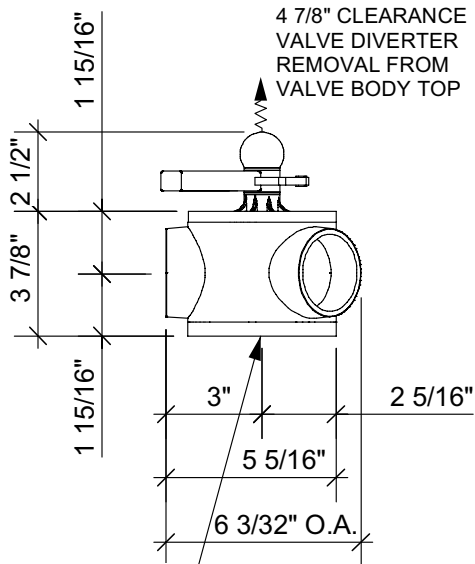
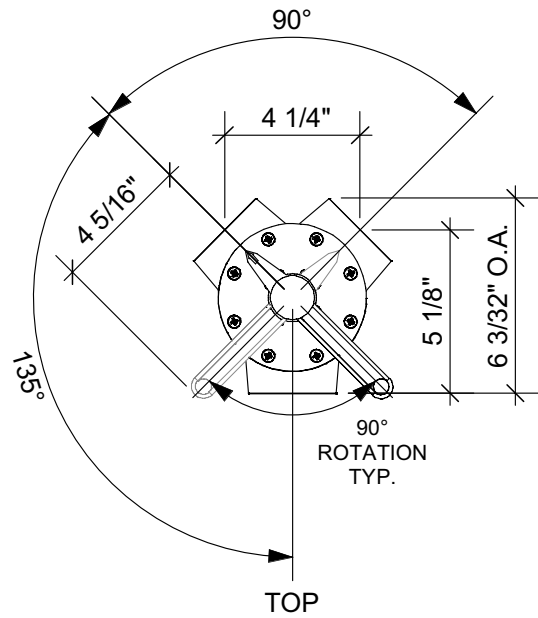
1 -OR- 2



PORT 2



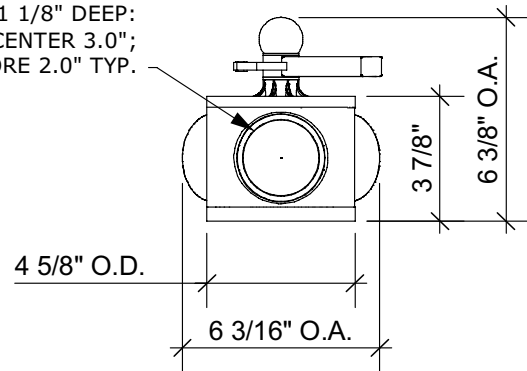
PORT 1



1/4"-20 FEMALE MOLDED-IN  
THREADED INSERT  
CENTER BOTTOM  
0.2" MIN THREAD DEPTH

LEFT

2" NOMINAL PIPE SIZE  
SOLVENT/CEMENT  
SOCKET 1 1/8" DEEP;  
END TO CENTER 3.0";  
PORT BORE 2.0" TYP.



FRONT