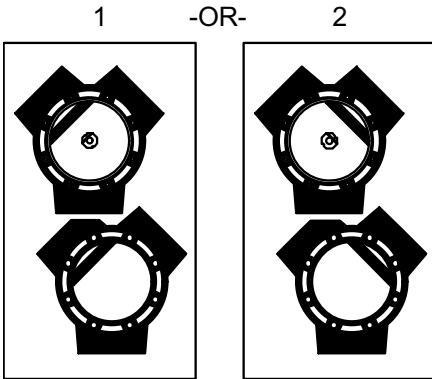


INTERNAL DIVERTER POSITIONS

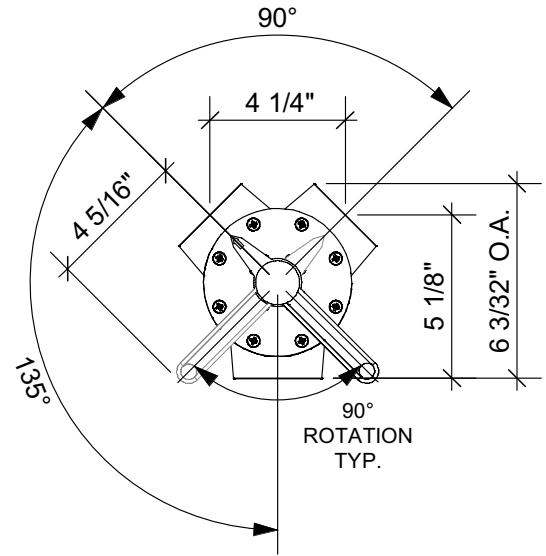


1  
 POOL  
 -OR-  
 SPA

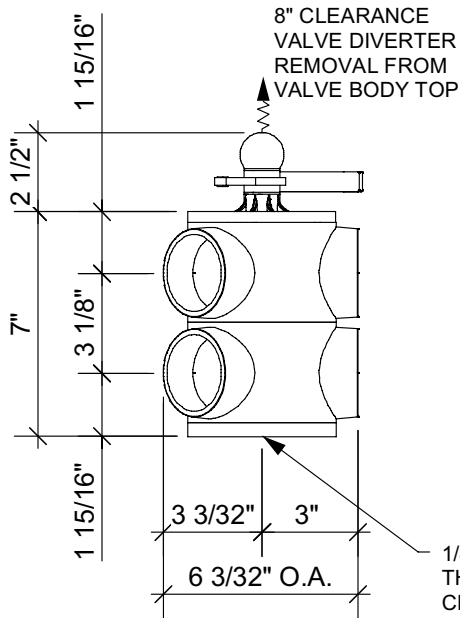
-OR-

2

SPA  
 -OR-  
 POOL



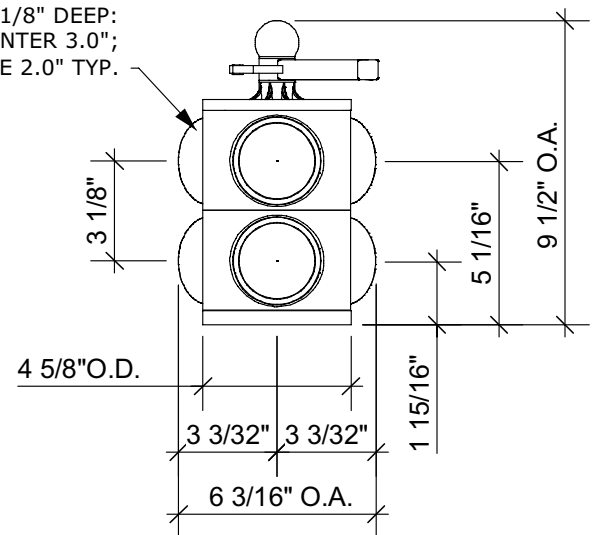
TOP



LEFT

2" NOMINAL PIPE SIZE  
 SOLVENT/CEMENT  
 SOCKET 1 1/8" DEEP:  
 END TO CENTER 3.0";  
 PORT BORE 2.0" TYP.

1/4"-20 FEMALE MOLDED-IN  
 THREADED INSERT  
 CENTER BOTTOM  
 0.2" MIN THREAD DEPTH



FRONT