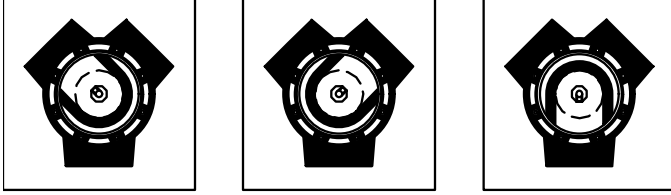
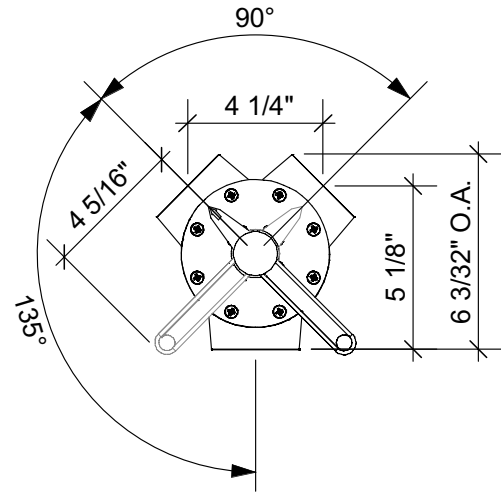
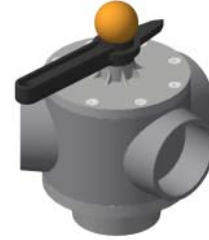


INTERNAL DIVERTER POSITIONS

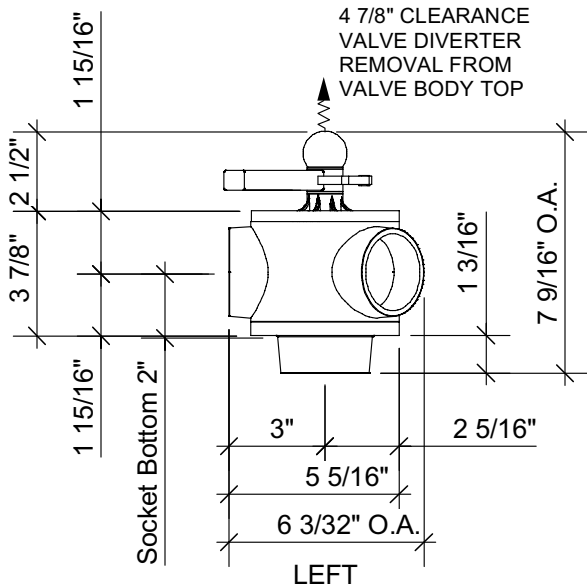
PORT 1 -THRU- PORT 2 -THRU- PORT 3



NOTE: NO "OFF" POSITION

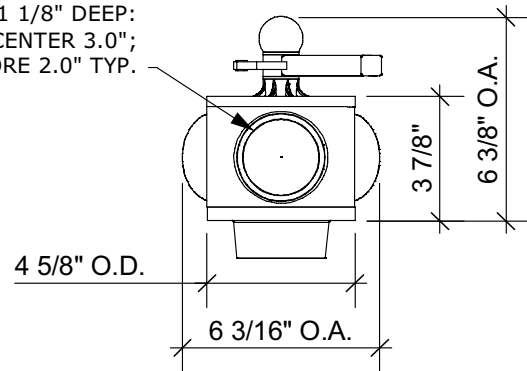


TOP



LEFT

2" NOMINAL PIPE SIZE
SOLVENT/CEMENT
SOCKET 1 1/8" DEEP:
END TO CENTER 3.0";
PORT BORE 2.0" TYP.



FRONT