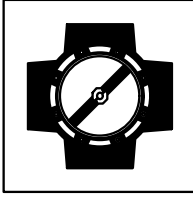
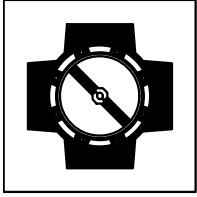




# Flow Reversal Blow Suck / Suck Blow Prime Saver Pump Bypass Model: [MR-Xm]

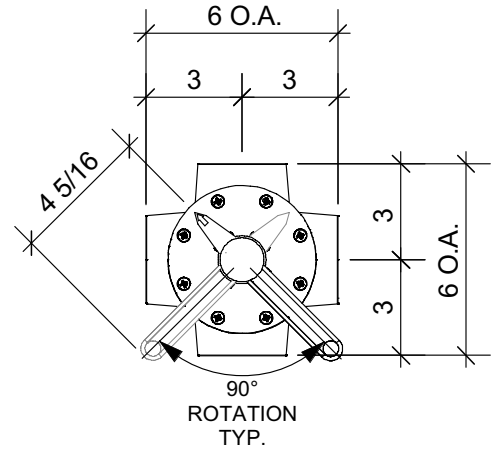
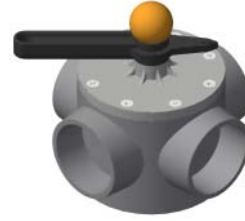
## INTERNAL DIVERTER POSITIONS

1 -OR- 2

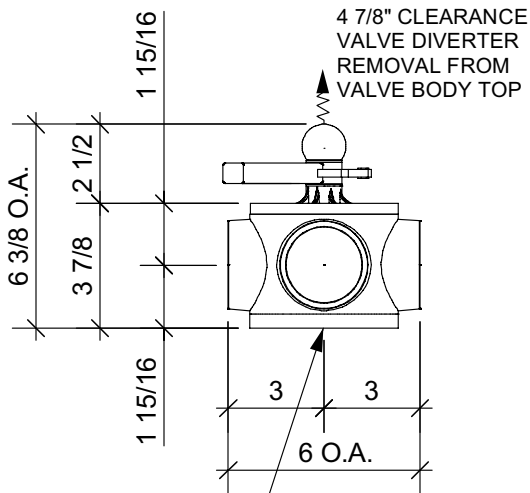


NORMAL FLOW  
-OR-  
REVERSE FLOW  
-OR-  
NORMAL FLOW  
-OR-  
BYPASS FLOW

REVERSE FLOW  
-OR-  
NORMAL FLOW  
-OR-  
BYPASS FLOW  
-OR-  
NORMAL FLOW



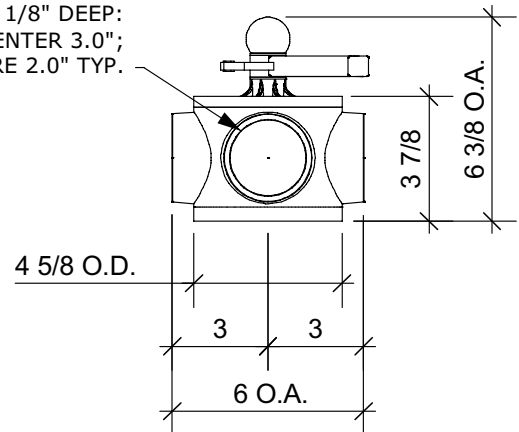
TOP



LEFT

1/4"-20 FEMALE MOLDED-IN  
THREADED INSERT  
CENTER BOTTOM  
0.2" MIN THREAD DEPTH

2" NOMINAL PIPE SIZE  
SOLVENT/CEMENT  
SOCKET 1 1/8" DEEP:  
END TO CENTER 3.0";  
PORT BORE 2.0" TYP.



FRONT