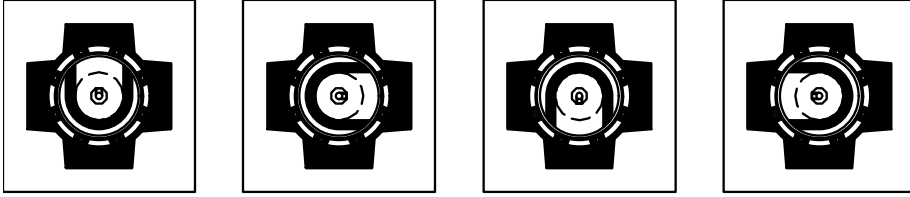
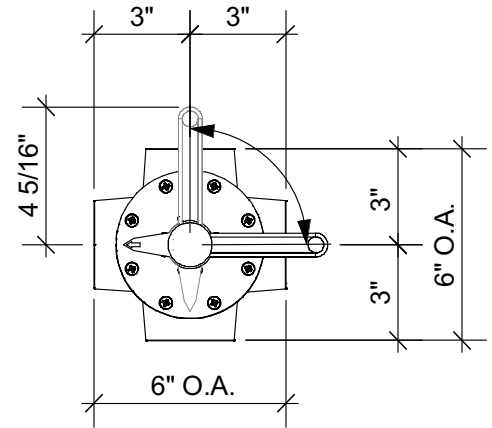


### INTERNAL DIVERTER POSITIONS

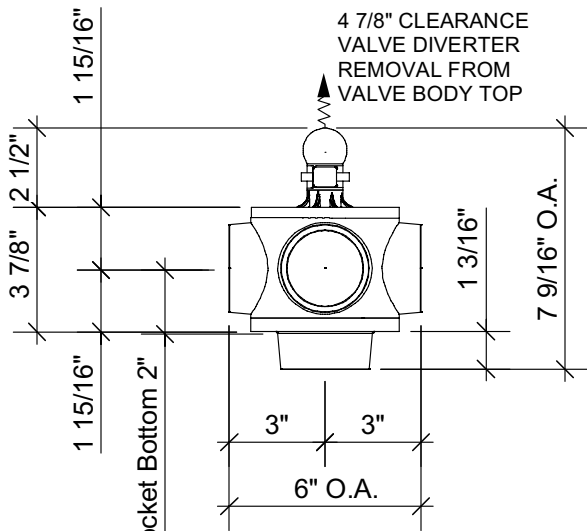
PORT 1 -THRU- PORT 2 -THRU- PORT 3 -THRU- PORT 4



NOTE: NO "OFF" POSITION

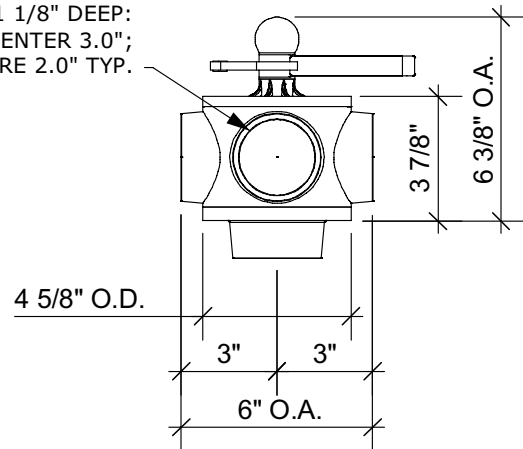


TOP



LEFT

2" NOMINAL PIPE SIZE  
SOLVENT/CEMENT  
SOCKET 1 1/8" DEEP:  
END TO CENTER 3.0";  
PORT BORE 2.0" TYP.



FRONT