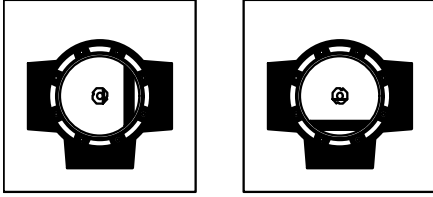




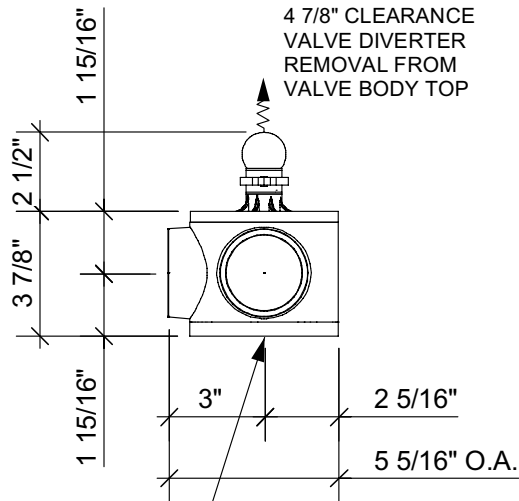
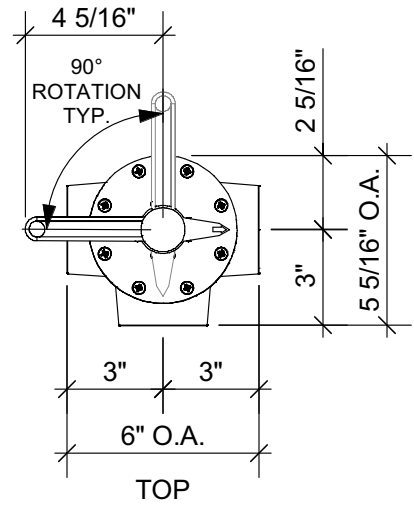
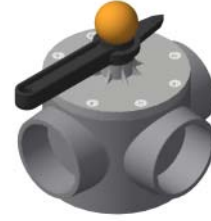
# Proportioning Control Model:[MR-Ts]

## INTERNAL DIVERTER POSITIONS

1 -THRU- 2



ONE OF FOUR QUARTER-TURN  
OPTIONS



1/4"-20 FEMALE MOLDED-IN  
THREADED INSERT  
CENTER BOTTOM  
0.2" MIN THREAD DEPTH

LEFT

2" NOMINAL PIPE SIZE  
SOLVENT/CEMENT  
SOCKET 1 1/8" DEEP;  
END TO CENTER 3.0";  
PORT BORE 2.0" TYP.

