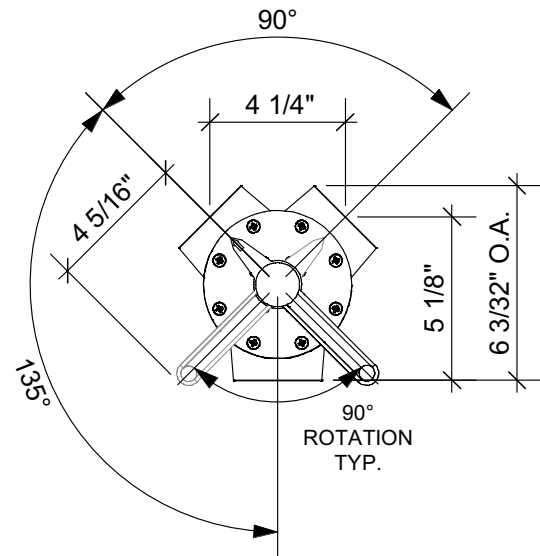
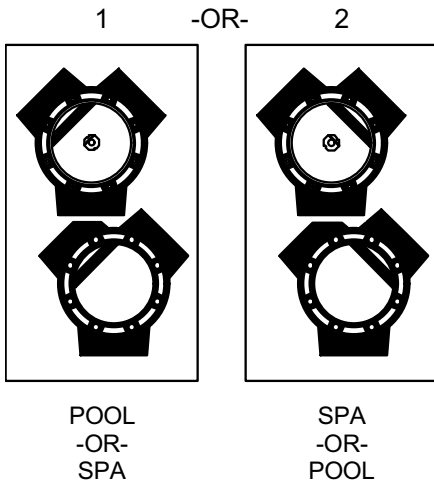
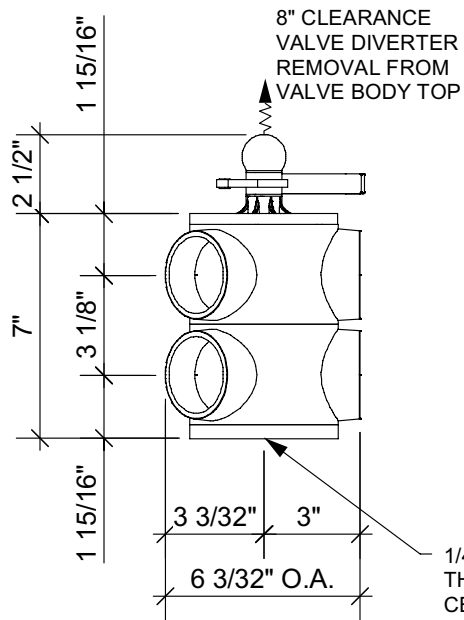


INTERNAL DIVERTER POSITIONS



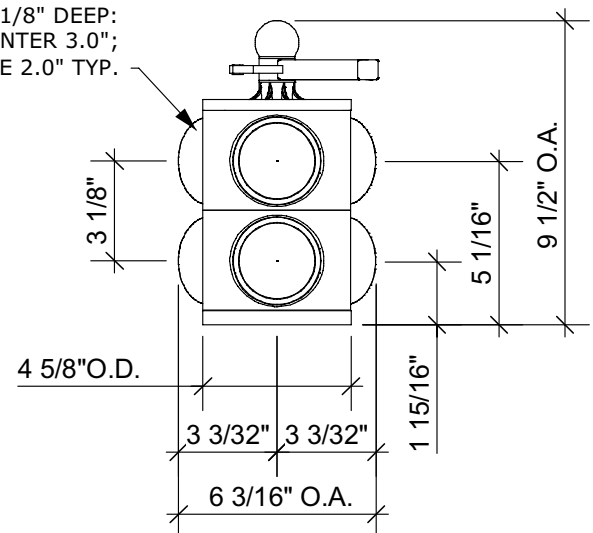
TOP



LEFT

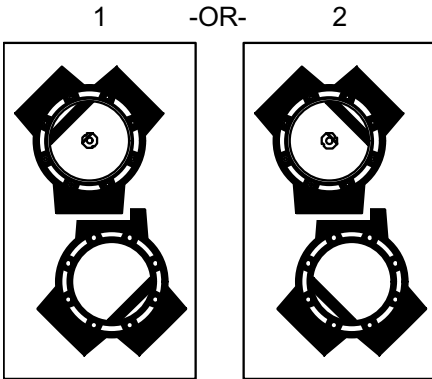
2" NOMINAL PIPE SIZE
SOLVENT/CEMENT
SOCKET 1 1/8" DEEP:
END TO CENTER 3.0";
PORT BORE 2.0" TYP.

1/4"-20 FEMALE MOLDED-IN
THREADED INSERT
CENTER BOTTOM
0.2" MIN THREAD DEPTH



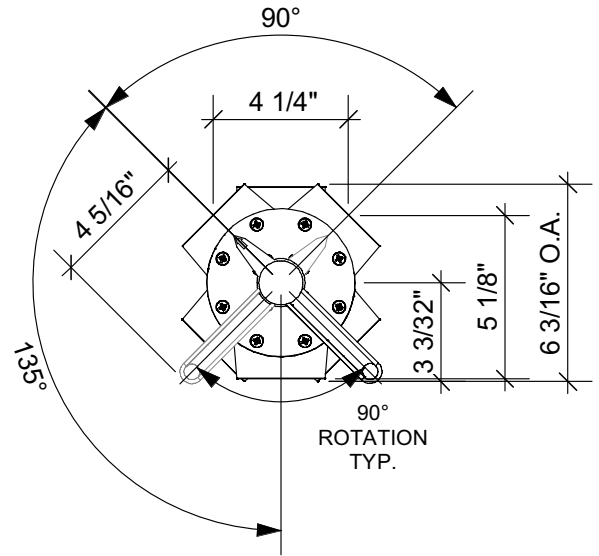
FRONT

INTERNAL DIVERTER POSITIONS

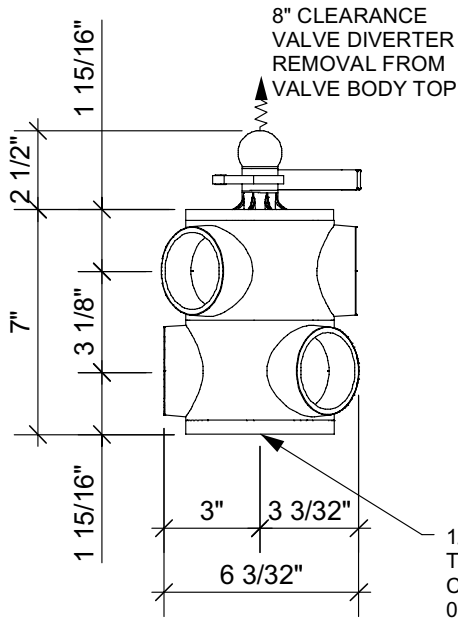


1
 POOL
 -OR-
 SPA

2
 SPA
 -OR-
 POOL



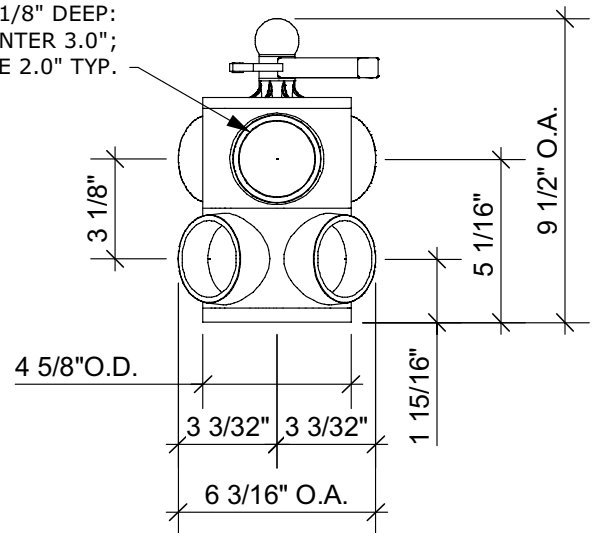
TOP



LEFT

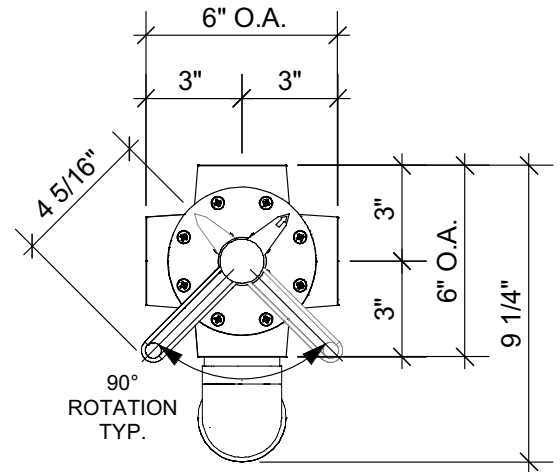
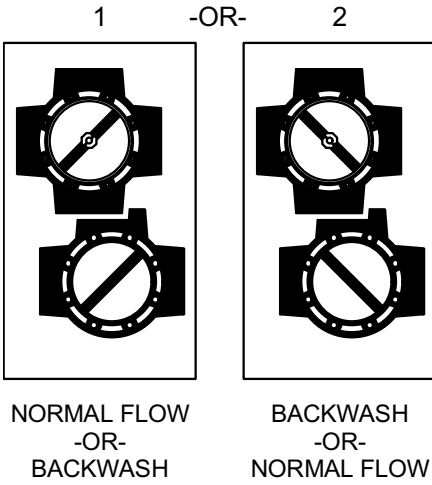
2" NOMINAL PIPE SIZE
 SOLVENT/CEMENT
 SOCKET 1 1/8" DEEP:
 END TO CENTER 3.0";
 PORT BORE 2.0" TYP.

1/4"-20 FEMALE MOLDED-IN
 THREADED INSERT
 CENTER BOTTOM
 0.2" MIN THREAD DEPTH

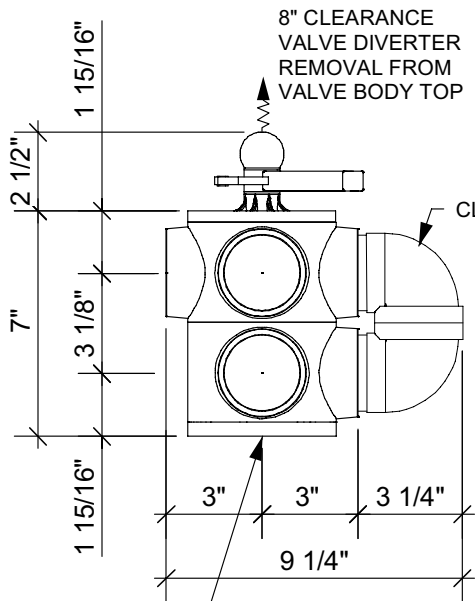


FRONT

INTERNAL DIVERTER POSITIONS



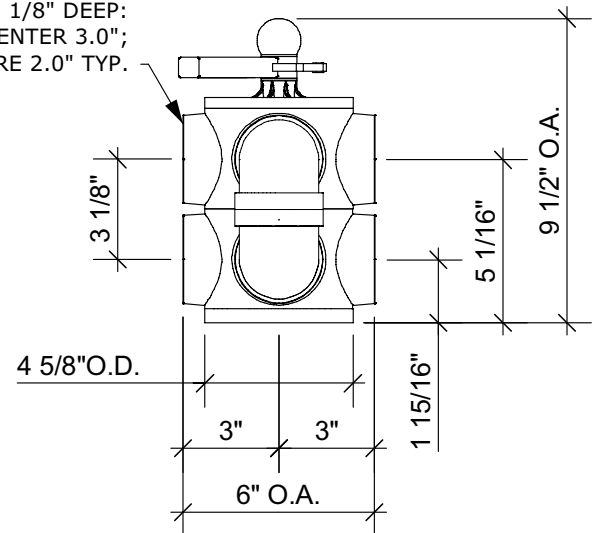
TOP



1/4"-20 FEMALE MOLDED-IN THREADED INSERT CENTER BOTTOM 0.2" MIN THREAD DEPTH

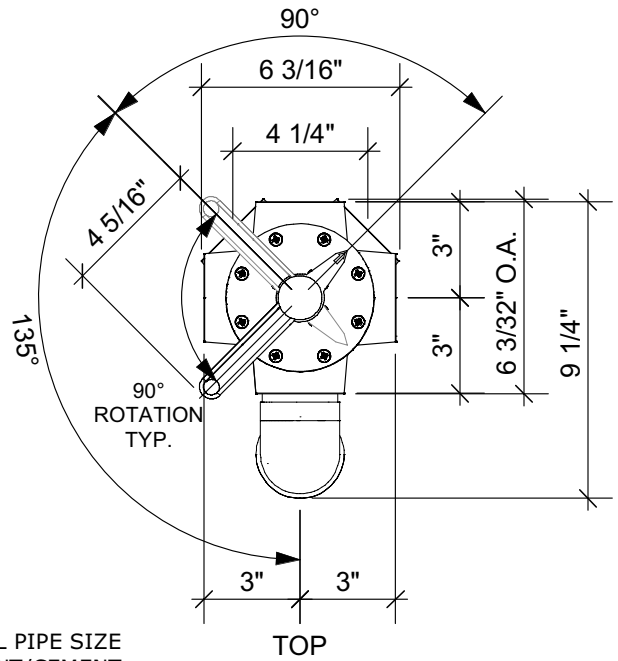
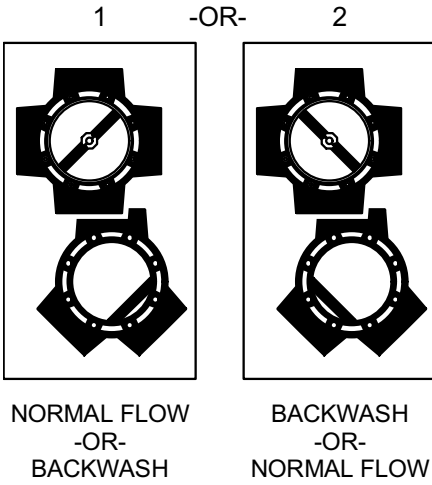
LEFT

2" NOMINAL PIPE SIZE SOLVENT/CEMENT SOCKET 1 1/8" DEEP: END TO CENTER 3.0"; PORT BORE 2.0" TYP.

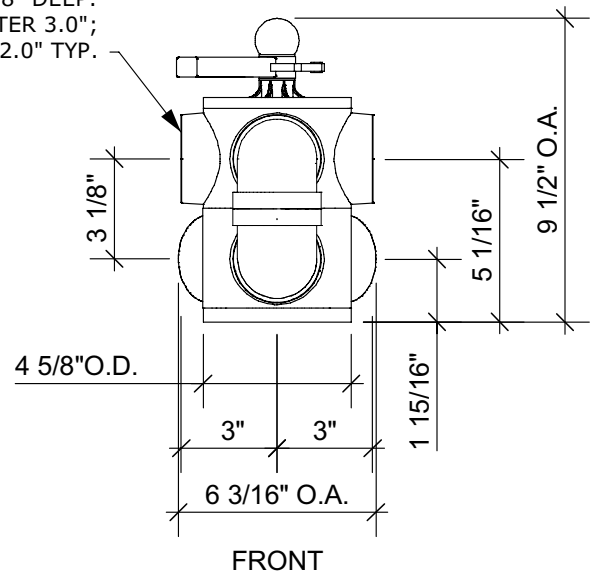
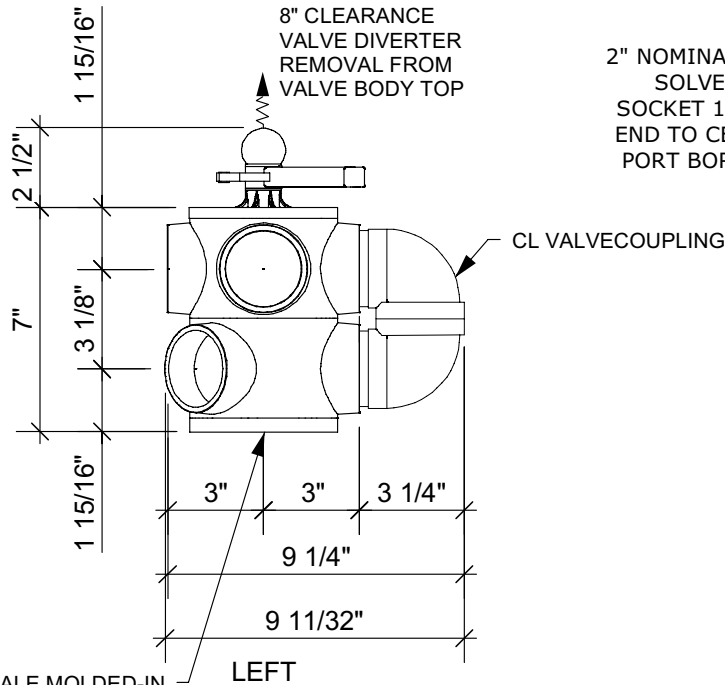


FRONT

INTERNAL DIVERTER POSITIONS

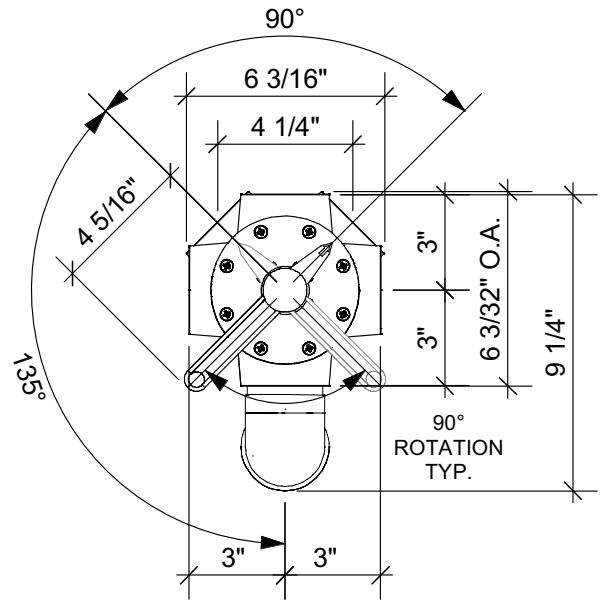
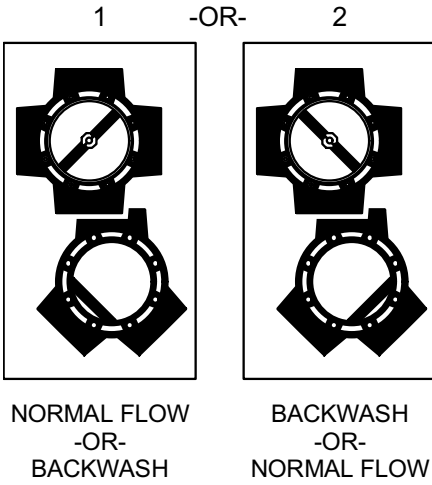


2" NOMINAL PIPE SIZE
SOLVENT/CEMENT
SOCKET 1 1/8" DEEP;
END TO CENTER 3.0";
PORT BORE 2.0" TYP.

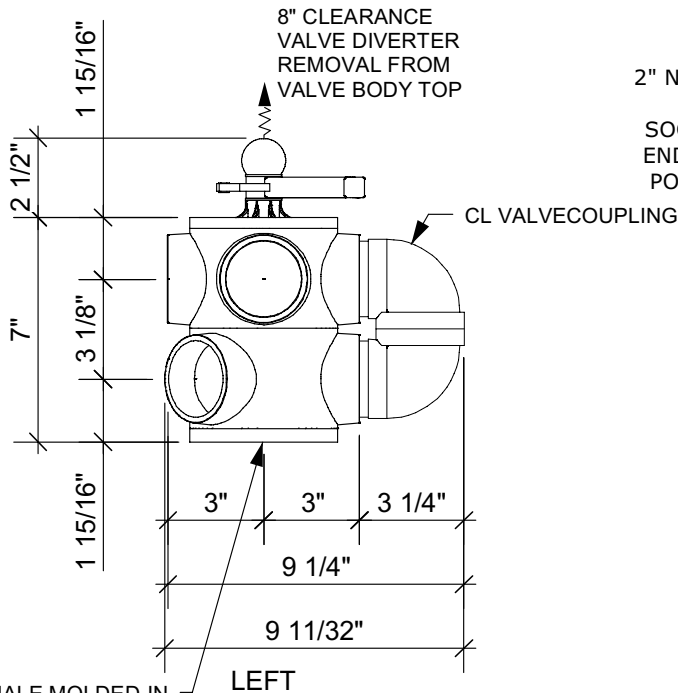


1/4"-20 FEMALE MOLDED-IN
THREADED INSERT
CENTER BOTTOM
0.2" MIN THREAD DEPTH

INTERNAL DIVERTER POSITIONS

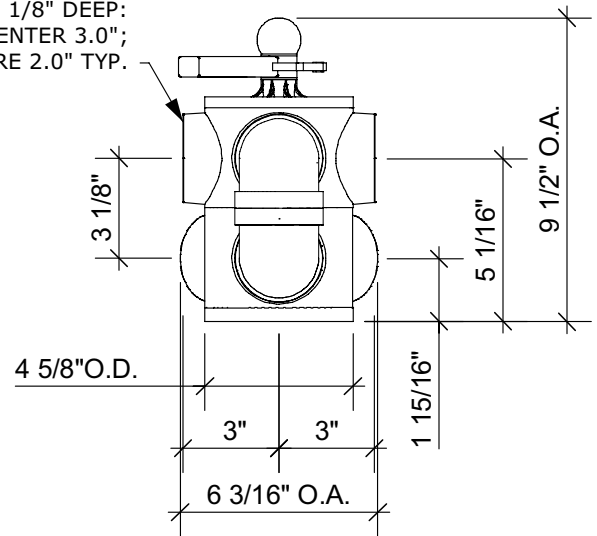


TOP



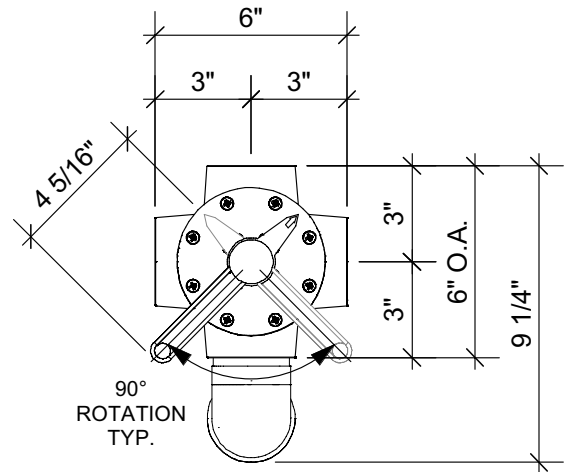
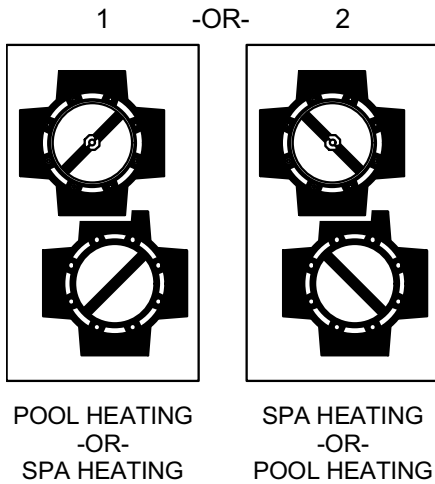
1/4"-20 FEMALE MOLDED-IN
THREADED INSERT
CENTER BOTTOM
0.2" MIN THREAD DEPTH

2" NOMINAL PIPE SIZE
SOLVENT/CEMENT
SOCKET 1 1/8" DEEP:
END TO CENTER 3.0";
PORT BORE 2.0" TYP.

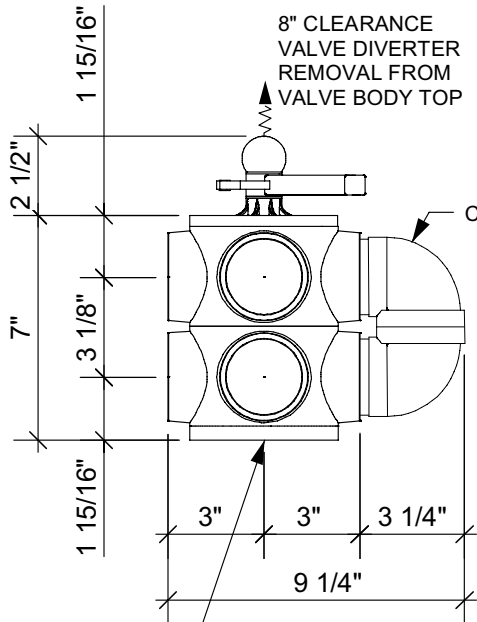


FRONT

INTERNAL DIVERTER POSITIONS



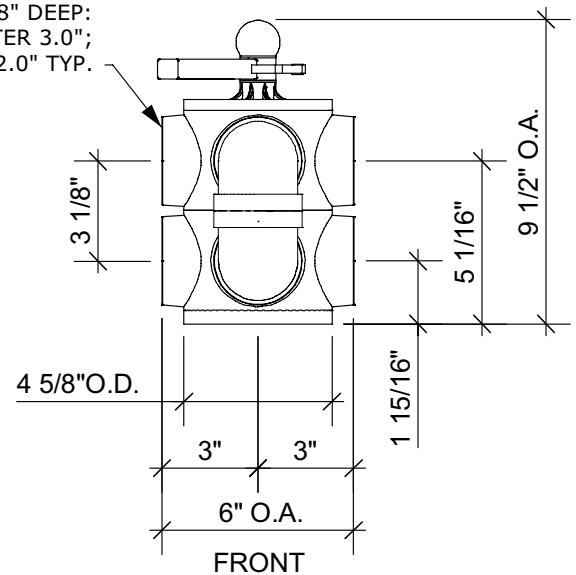
TOP



LEFT

1/4"-20 FEMALE MOLDED-IN
THREADED INSERT
CENTER BOTTOM
0.2" MIN THREAD DEPTH

2" NOMINAL PIPE SIZE
SOLVENT/CEMENT
SOCKET 1 1/8" DEEP:
END TO CENTER 3.0";
PORT BORE 2.0" TYP.



FRONT