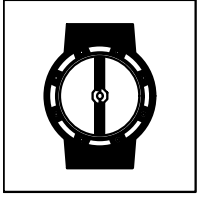
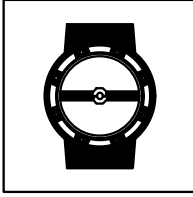


### INTERNAL DIVERTER POSITIONS

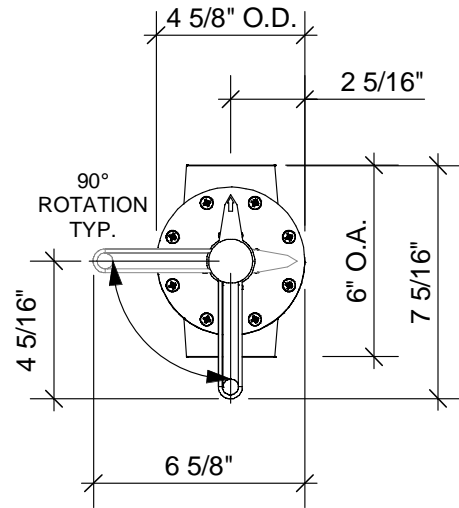
1 -OR- 2



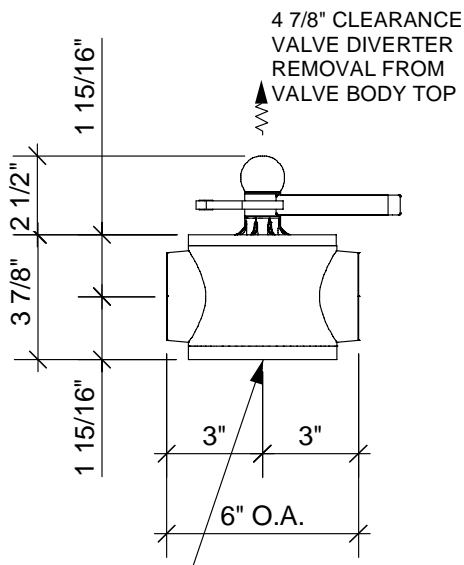
FULL FLOW



NO FLOW

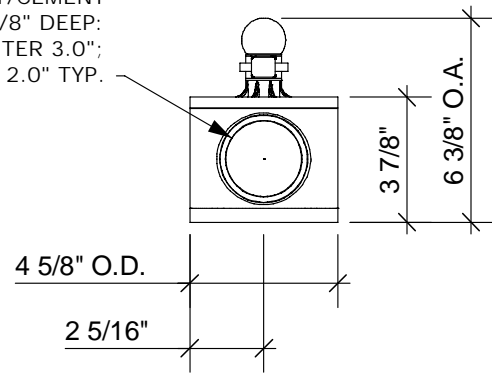


TOP



LEFT

2" NOMINAL PIPE SIZE  
SOLVENT/CEMENT  
SOCKET 1 1/8" DEEP:  
END TO CENTER 3.0";  
PORT BORE 2.0" TYP.

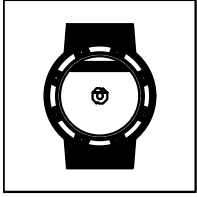


FRONT

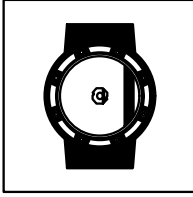
1/4"-20 FEMALE MOLDED-IN  
THREADED INSERT  
CENTER BOTTOM  
0.2" MIN THREAD DEPTH

### INTERNAL DIVERTER POSITIONS

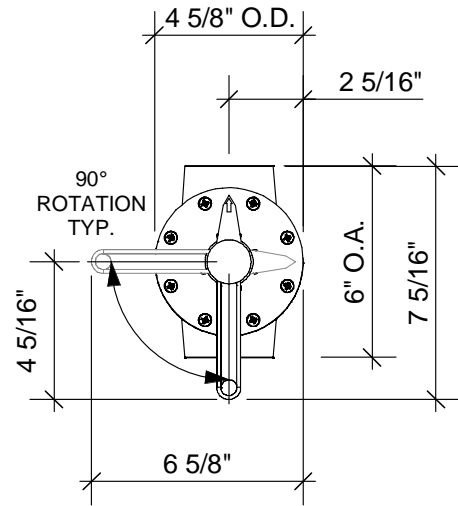
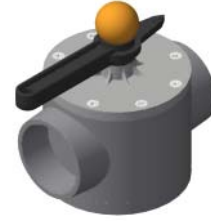
1 -THRU- 2



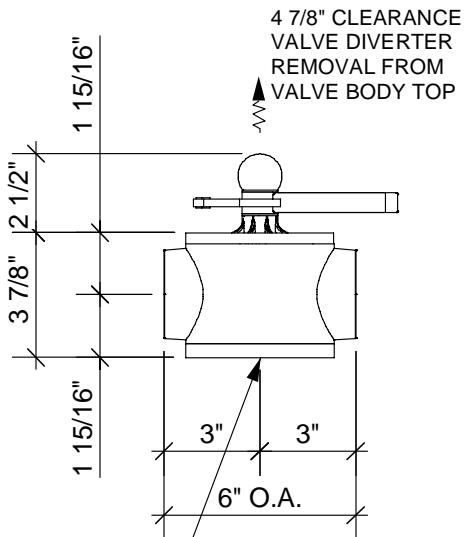
NO FLOW



FULL FLOW



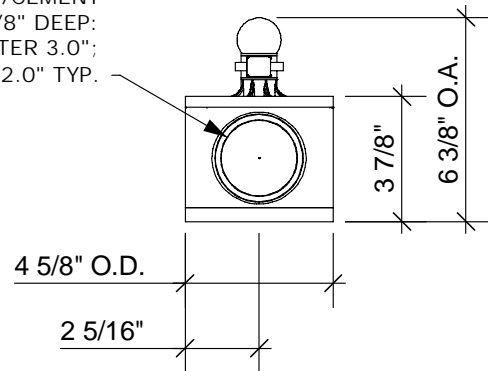
TOP



LEFT

1/4"-20 FEMALE MOLDED-IN  
THREADED INSERT  
CENTER BOTTOM  
0.2" MIN THREAD DEPTH

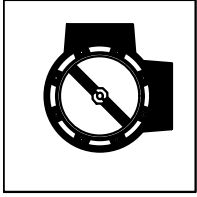
2" NOMINAL PIPE SIZE  
SOLVENT/CEMENT  
SOCKET 1 1/8" DEEP;  
END TO CENTER 3.0";  
PORT BORE 2.0" TYP.



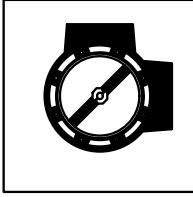
FRONT

## INTERNAL DIVERTER POSITIONS

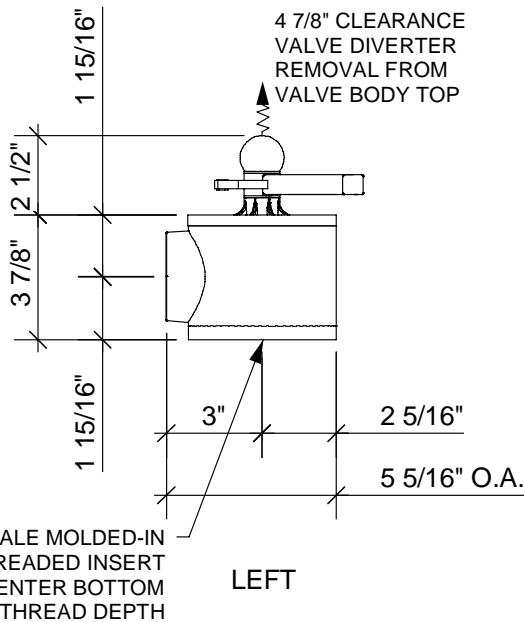
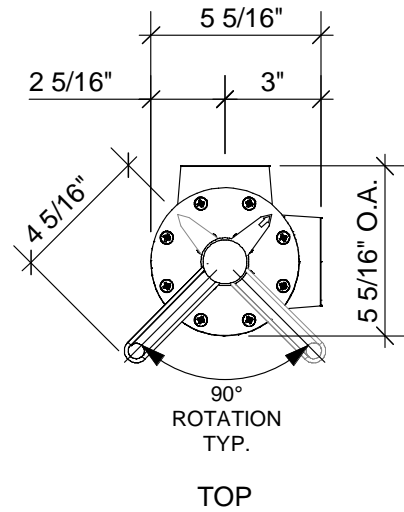
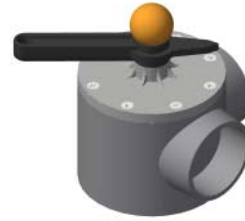
1 -THRU- 2



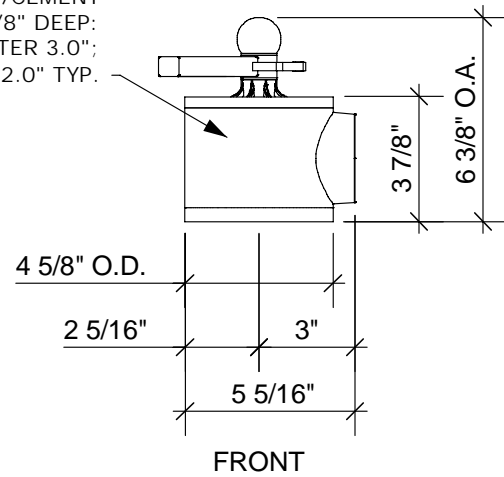
FULL FLOW



NO FLOW

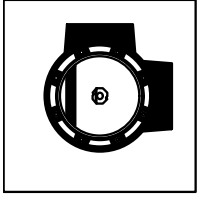


2" NOMINAL PIPE SIZE  
SOLVENT/CEMENT  
SOCKET 1 1/8" DEEP:  
END TO CENTER 3.0";  
PORT BORE 2.0" TYP.

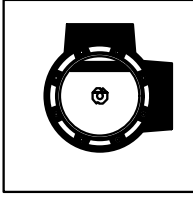


## INTERNAL DIVERTER POSITIONS

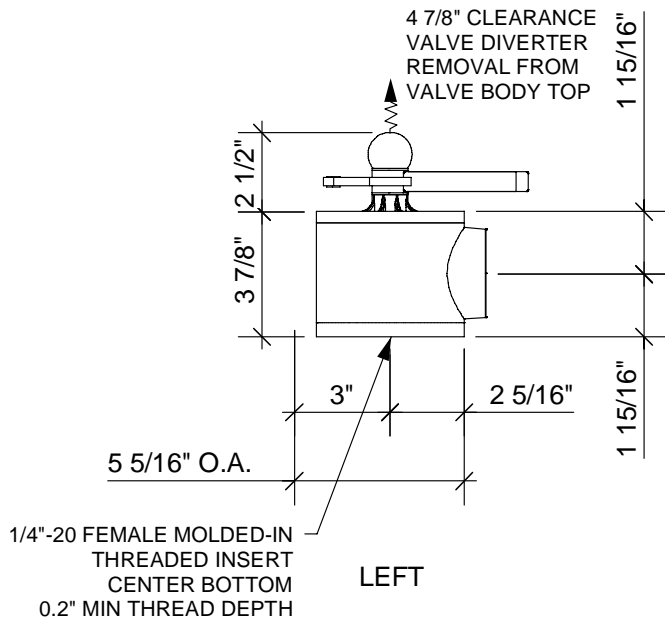
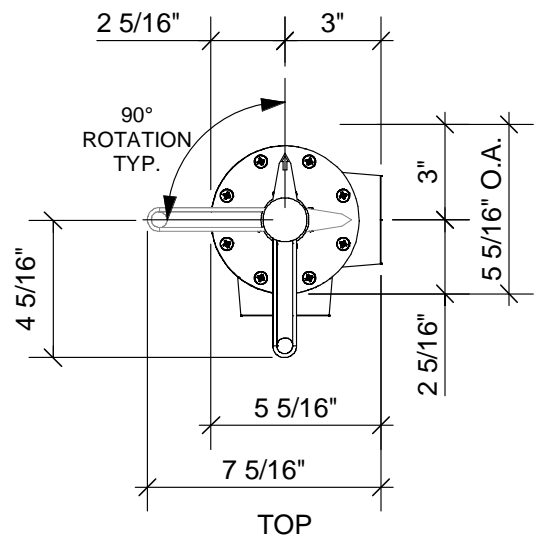
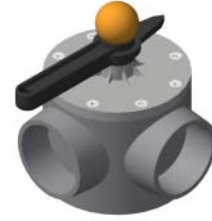
1 -THRU- 2



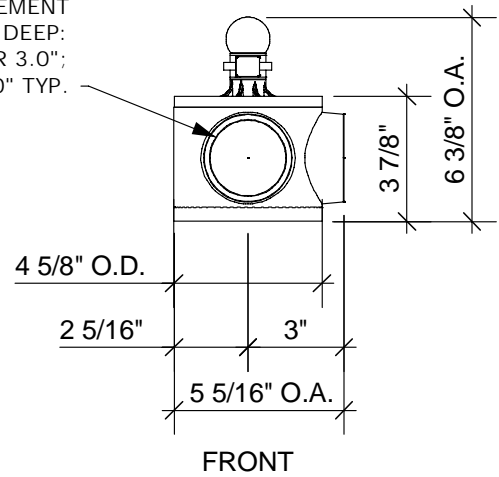
FULL FLOW



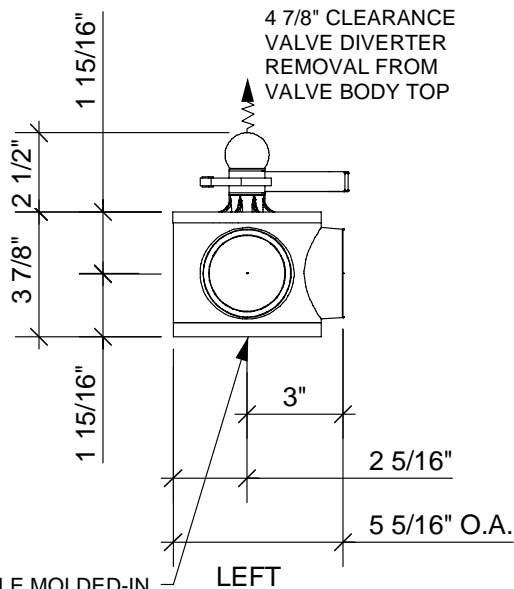
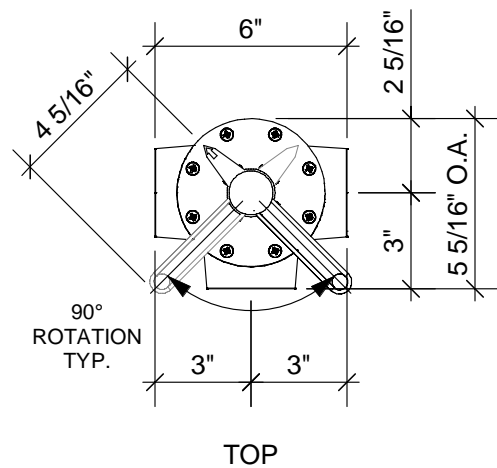
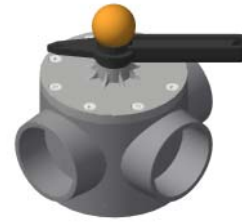
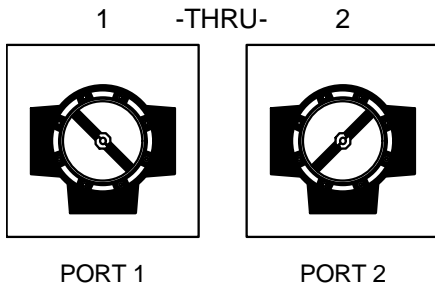
NO FLOW



2" NOMINAL PIPE SIZE SOLVENT/CEMENT SOCKET 1 1/8" DEEP; END TO CENTER 3.0"; PORT BORE 2.0" TYP.

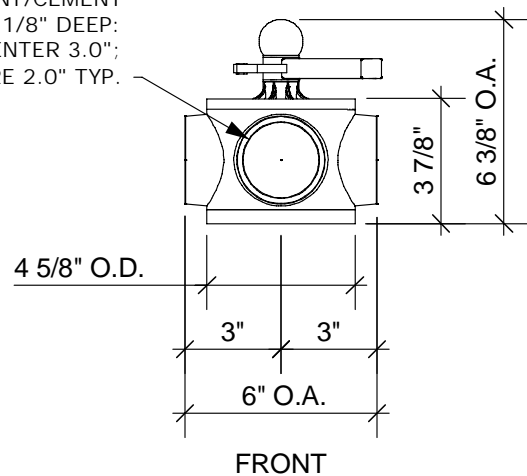


## INTERNAL DIVERTER POSITIONS



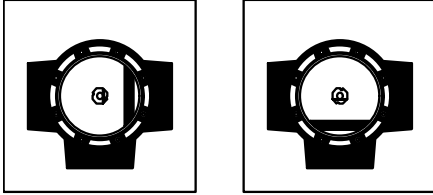
1/4"-20 FEMALE MOLDED-IN  
THREADED INSERT  
CENTER BOTTOM  
0.2" MIN THREAD DEPTH

2" NOMINAL PIPE SIZE  
SOLVENT/CEMENT  
SOCKET 1 1/8" DEEP:  
END TO CENTER 3.0";  
PORT BORE 2.0" TYP.

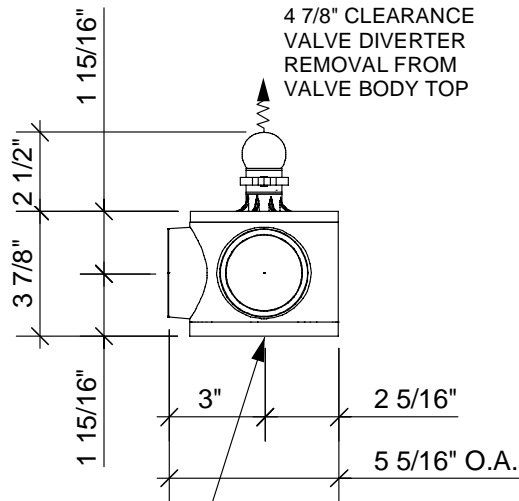
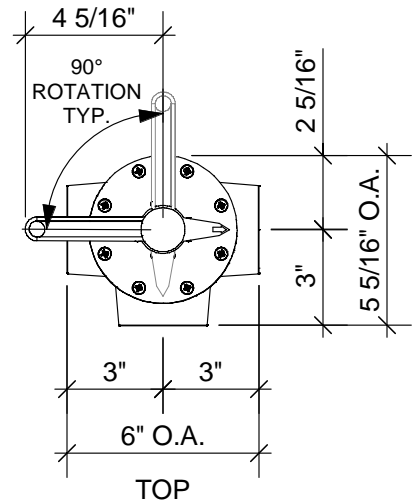


## INTERNAL DIVERTER POSITIONS

1 -THRU- 2



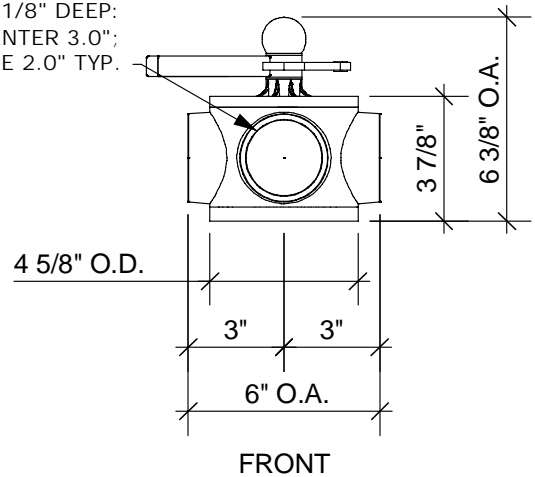
ONE OF FOUR QUARTER-TURN  
OPTIONS



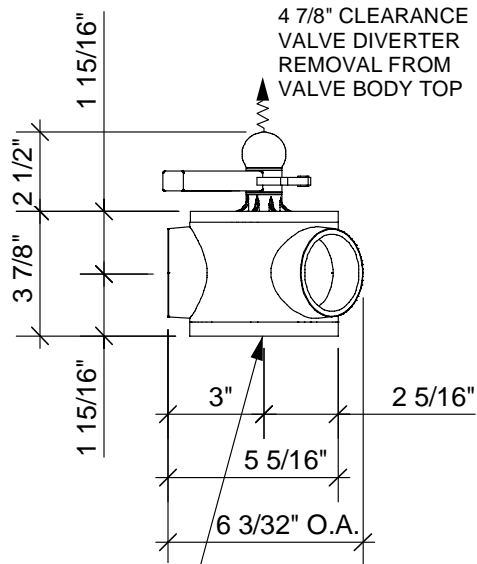
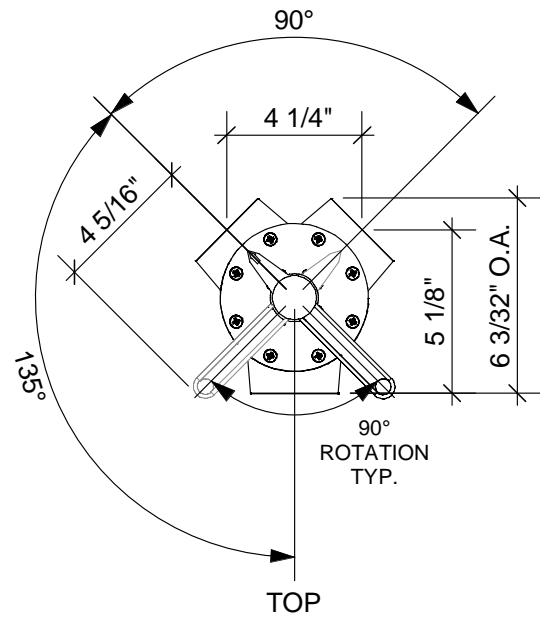
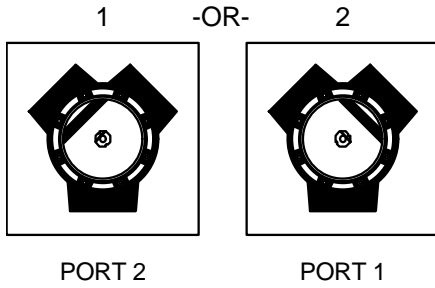
1/4"-20 FEMALE MOLDED-IN  
THREADED INSERT  
CENTER BOTTOM  
0.2" MIN THREAD DEPTH

LEFT

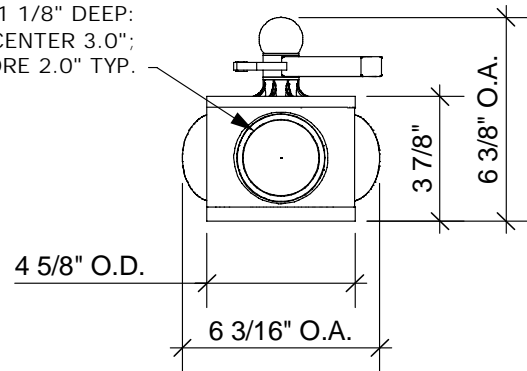
2" NOMINAL PIPE SIZE  
SOLVENT/CEMENT  
SOCKET 1 1/8" DEEP;  
END TO CENTER 3.0";  
PORT BORE 2.0" TYP.



## INTERNAL DIVERTER POSITIONS



2" NOMINAL PIPE SIZE  
SOLVENT/CEMENT  
SOCKET 1 1/8" DEEP;  
END TO CENTER 3.0";  
PORT BORE 2.0" TYP.



1/4"-20 FEMALE MOLDED-IN  
THREADED INSERT  
CENTER BOTTOM  
0.2" MIN THREAD DEPTH

FRONT

