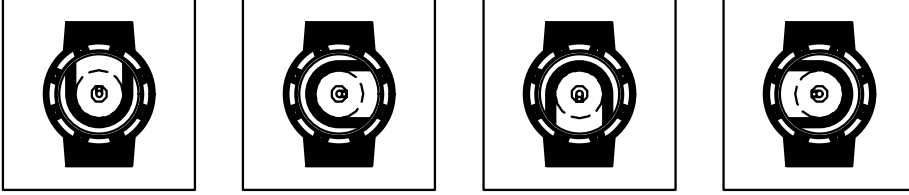
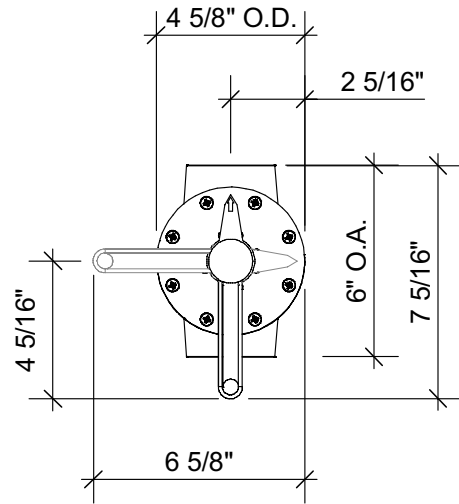


INTERNAL DIVERTER POSITIONS

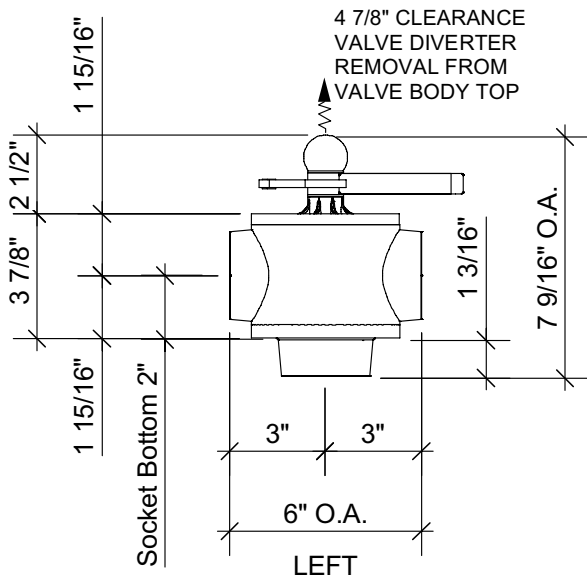
PORT 1 -THRU- OFF -THRU- PORT 2 -THRU- OFF



NOTE: TWO "OFF" POSITIONS

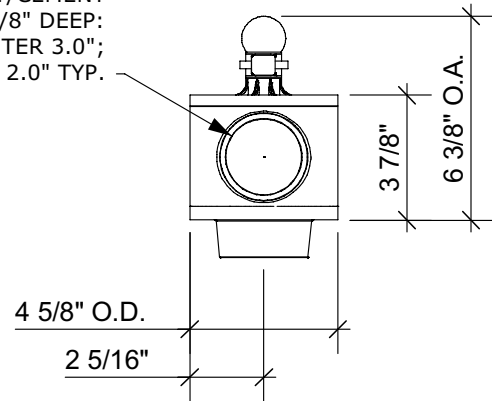


TOP



LEFT

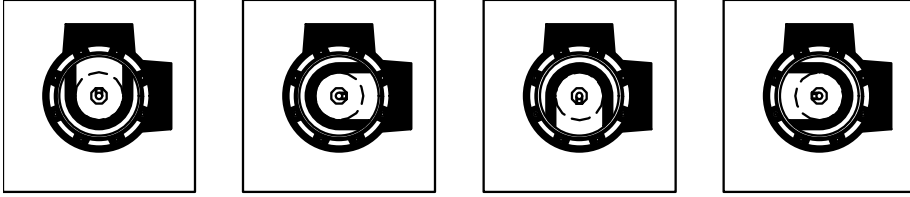
2" NOMINAL PIPE SIZE
SOLVENT/CEMENT
SOCKET 1 1/8" DEEP:
END TO CENTER 3.0";
PORT BORE 2.0" TYP.



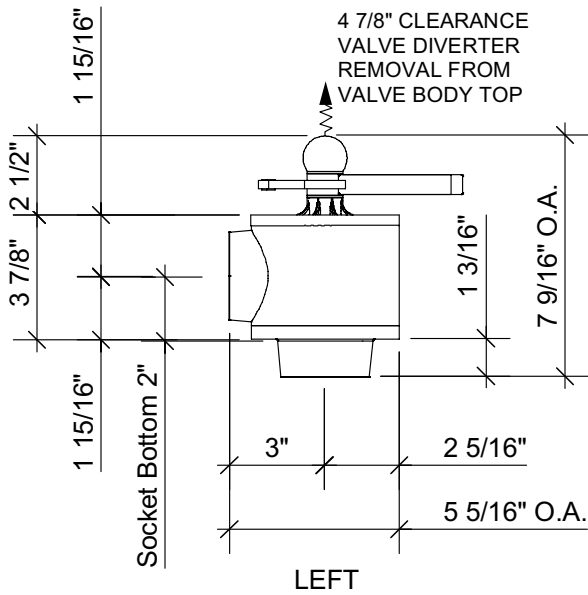
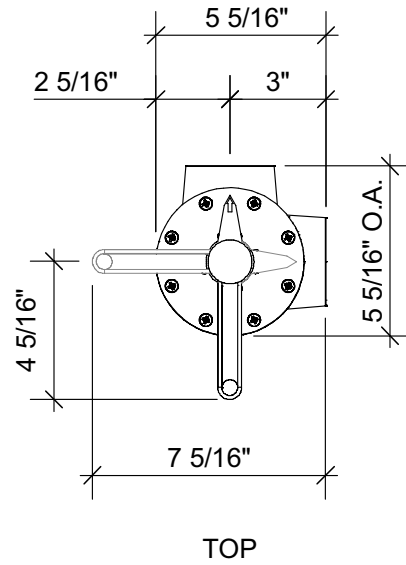
FRONT

INTERNAL DIVERTER POSITIONS

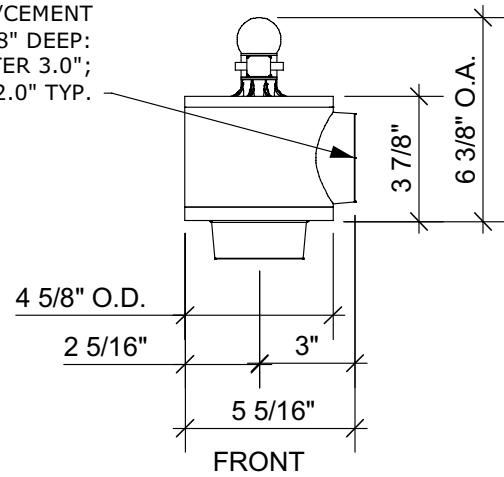
PORT 1 -THRU- PORT 2 -THRU- OFF -THRU- OFF



NOTE: TWO "OFF" POSITIONS

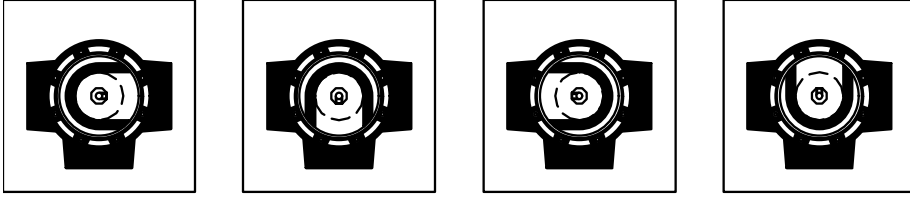


2" NOMINAL PIPE SIZE
SOLVENT/CEMENT
SOCKET 1 1/8" DEEP:
END TO CENTER 3.0";
PORT BORE 2.0" TYP.

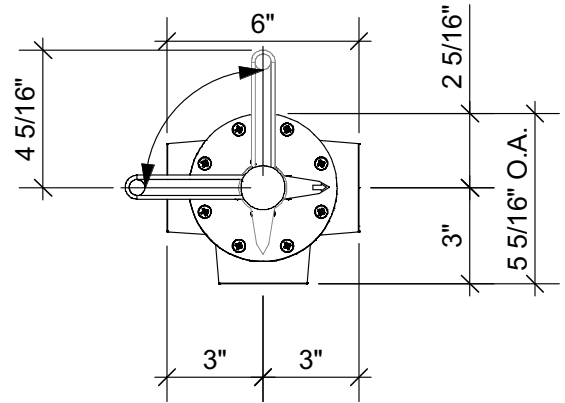


INTERNAL DIVERTER POSITIONS

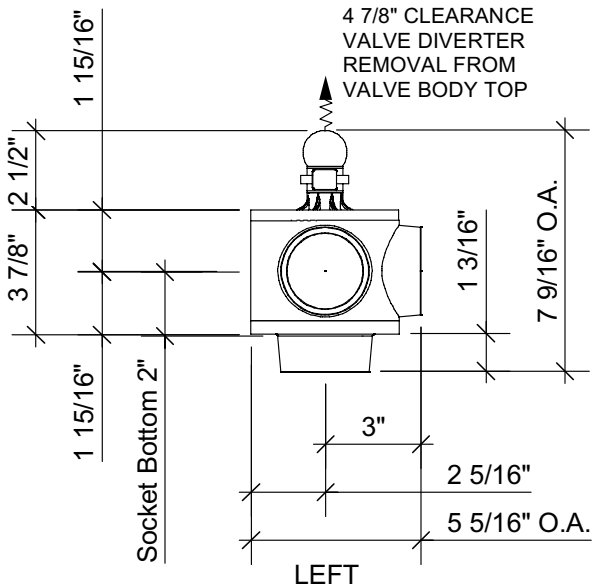
PORT 1 -THRU- PORT 2 -THRU- PORT 3 -THRU- OFF



NOTE: ONE "OFF" POSITION

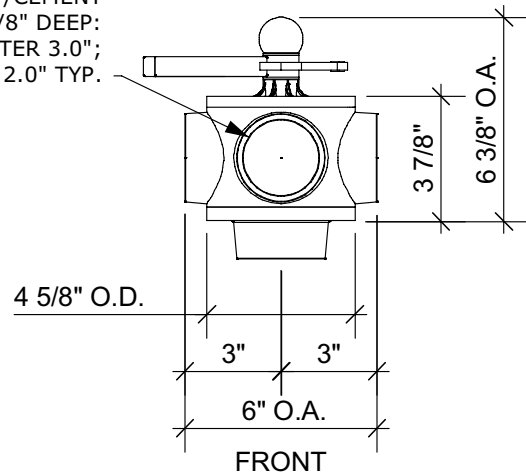


TOP



LEFT

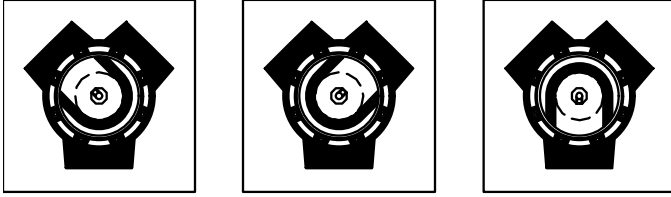
2" NOMINAL PIPE SIZE
SOLVENT/CEMENT
SOCKET 1 1/8" DEEP:
END TO CENTER 3.0";
PORT BORE 2.0" TYP.



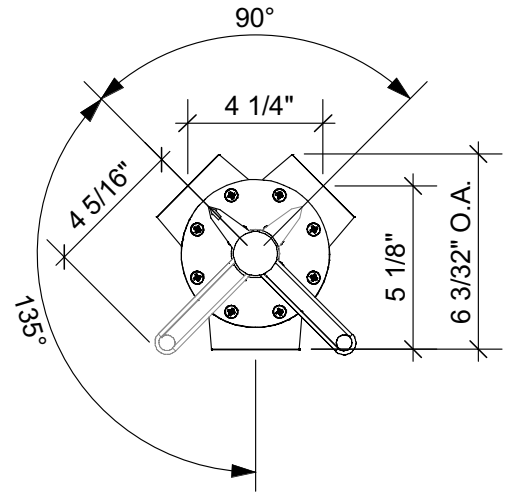
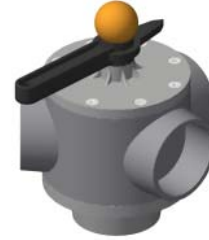
FRONT

INTERNAL DIVERTER POSITIONS

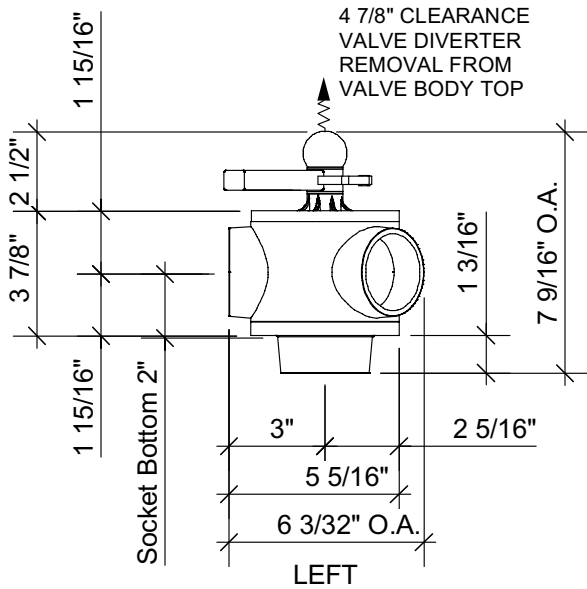
PORT 1 -THRU- PORT 2 -THRU- PORT 3



NOTE: NO "OFF" POSITION

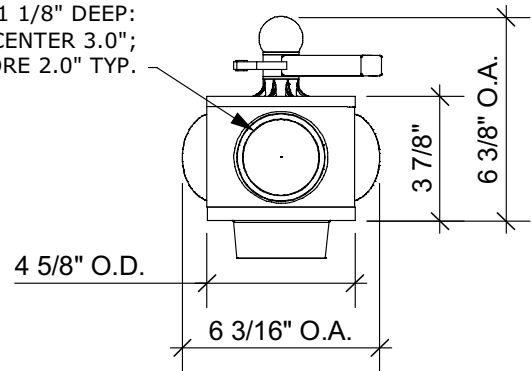


TOP



LEFT

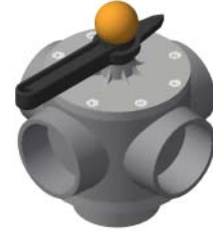
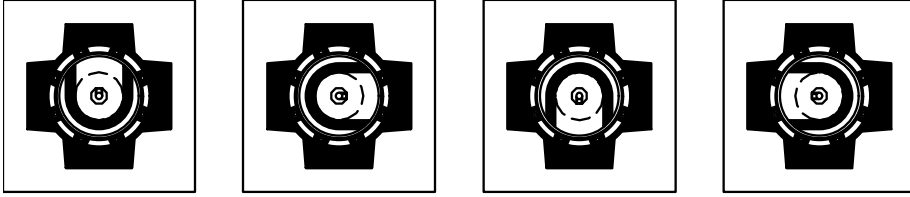
2" NOMINAL PIPE SIZE
SOLVENT/CEMENT
SOCKET 1 1/8" DEEP:
END TO CENTER 3.0";
PORT BORE 2.0" TYP.



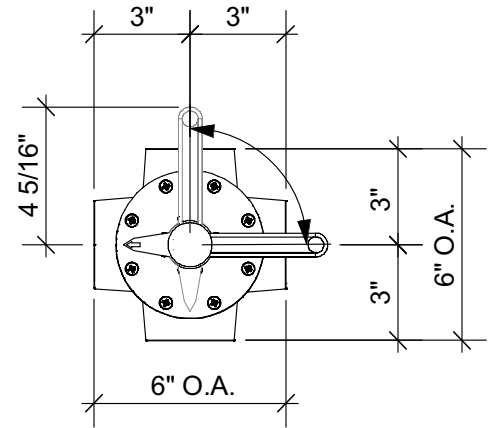
FRONT

INTERNAL DIVERTER POSITIONS

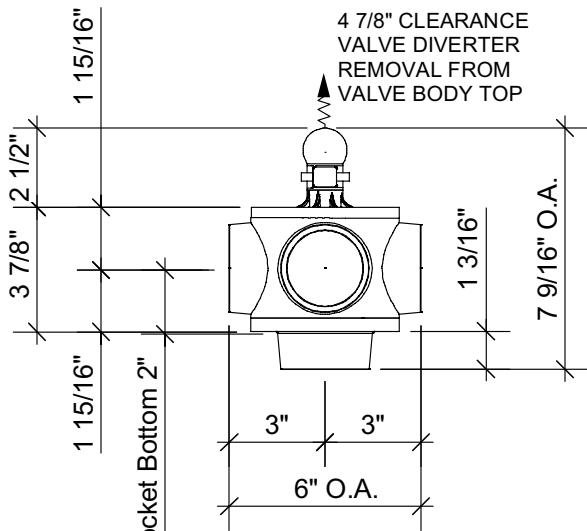
PORT 1 -THRU- PORT 2 -THRU- PORT 3 -THRU- PORT 4



NOTE: NO "OFF" POSITION

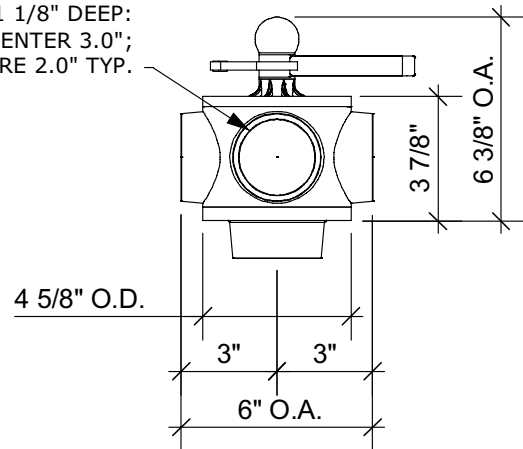


TOP



LEFT

2" NOMINAL PIPE SIZE
SOLVENT/CEMENT
SOCKET 1 1/8" DEEP:
END TO CENTER 3.0";
PORT BORE 2.0" TYP.



FRONT