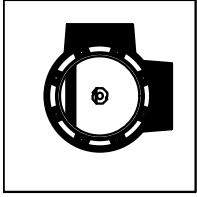
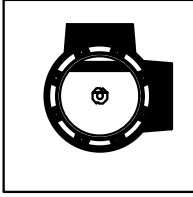


INTERNAL DIVERTER POSITIONS

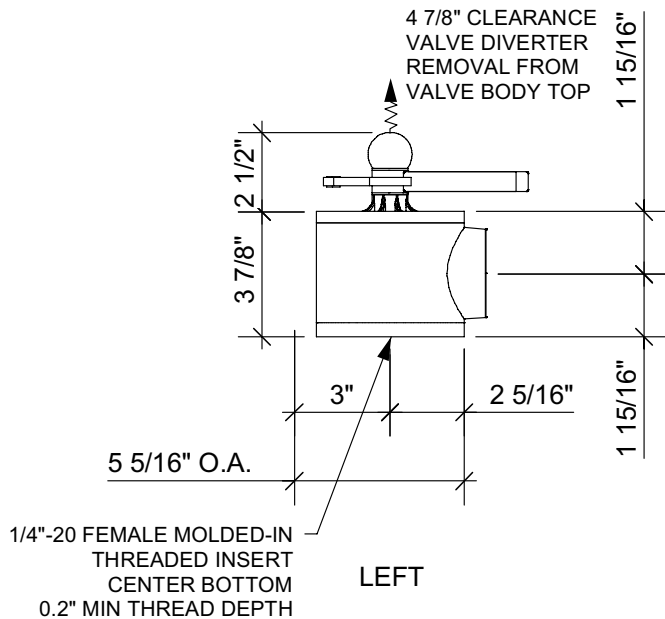
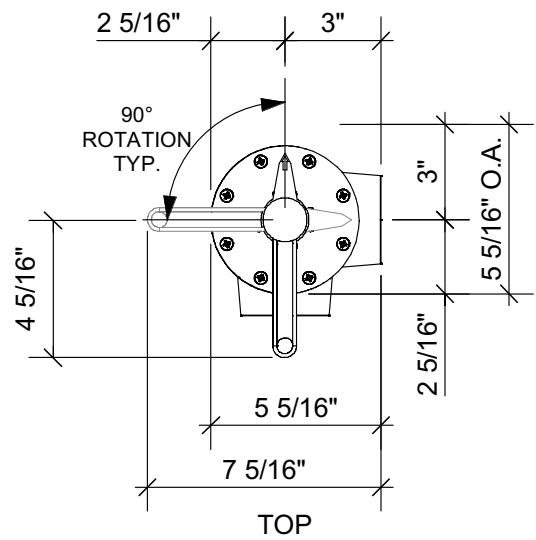
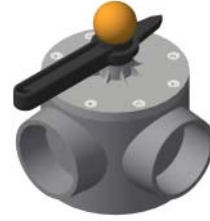
1 -THRU- 2



FULL FLOW



NO FLOW



2" NOMINAL PIPE SIZE SOLVENT/CEMENT SOCKET 1 1/8" DEEP; END TO CENTER 3.0"; PORT BORE 2.0" TYP.

