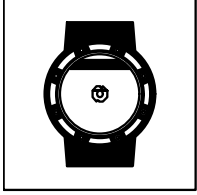
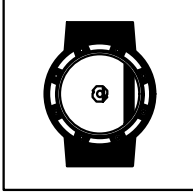


INTERNAL DIVERTER POSITIONS

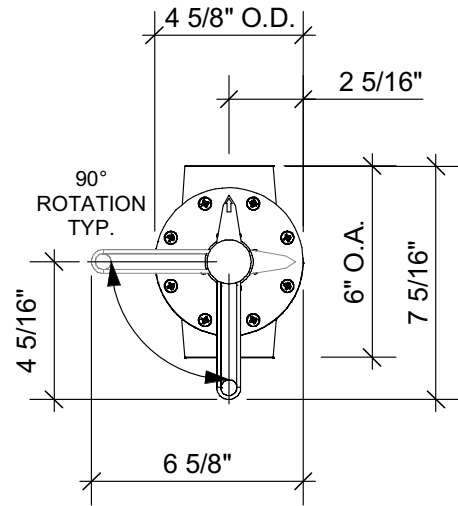
1 -THRU- 2



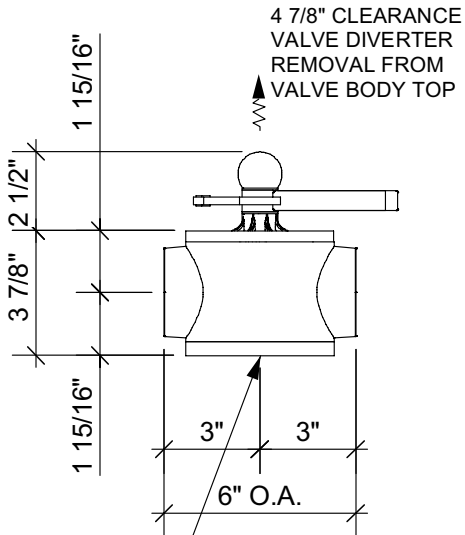
NO FLOW



FULL FLOW



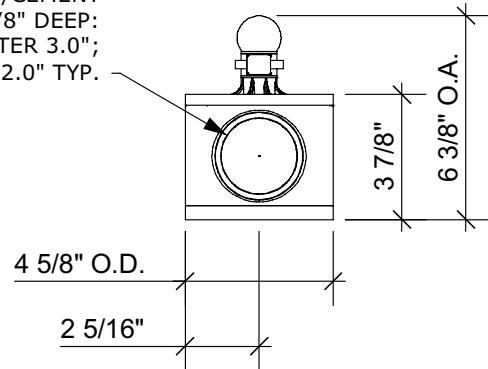
TOP



LEFT

1/4"-20 FEMALE MOLDED-IN
THREADED INSERT
CENTER BOTTOM
0.2" MIN THREAD DEPTH

2" NOMINAL PIPE SIZE
SOLVENT/CEMENT
SOCKET 1 1/8" DEEP:
END TO CENTER 3.0";
PORT BORE 2.0" TYP.



FRONT