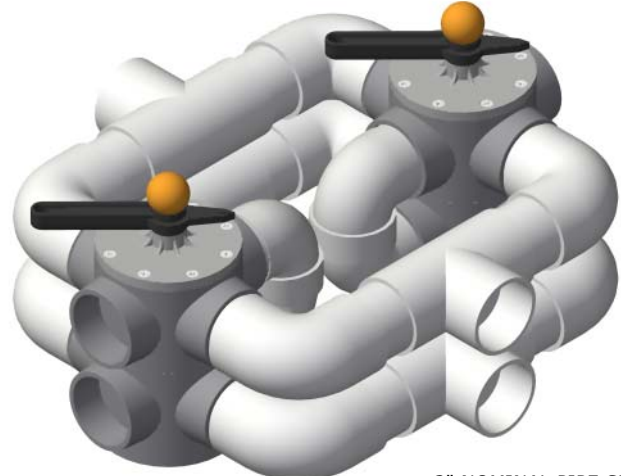
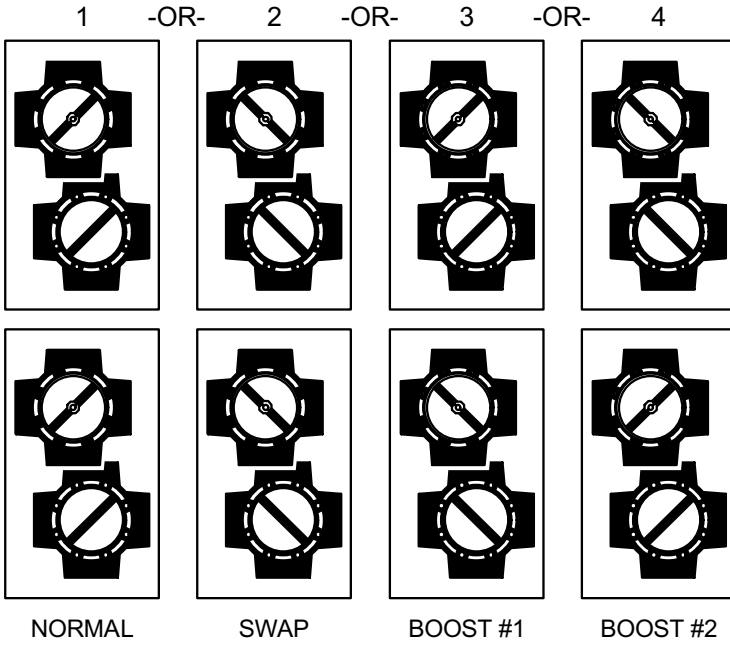


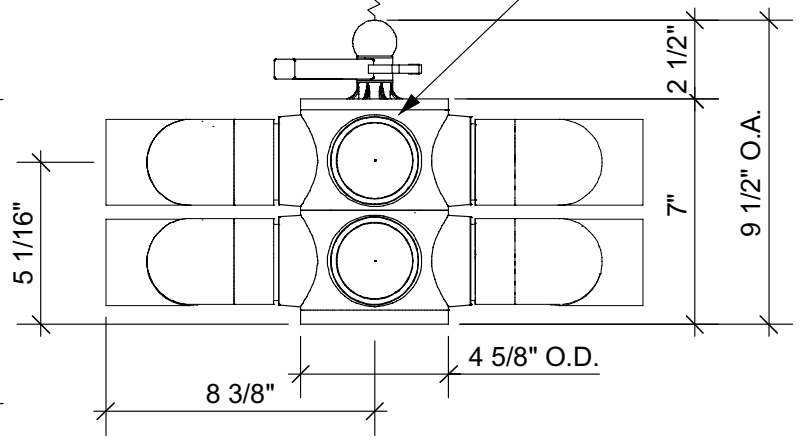
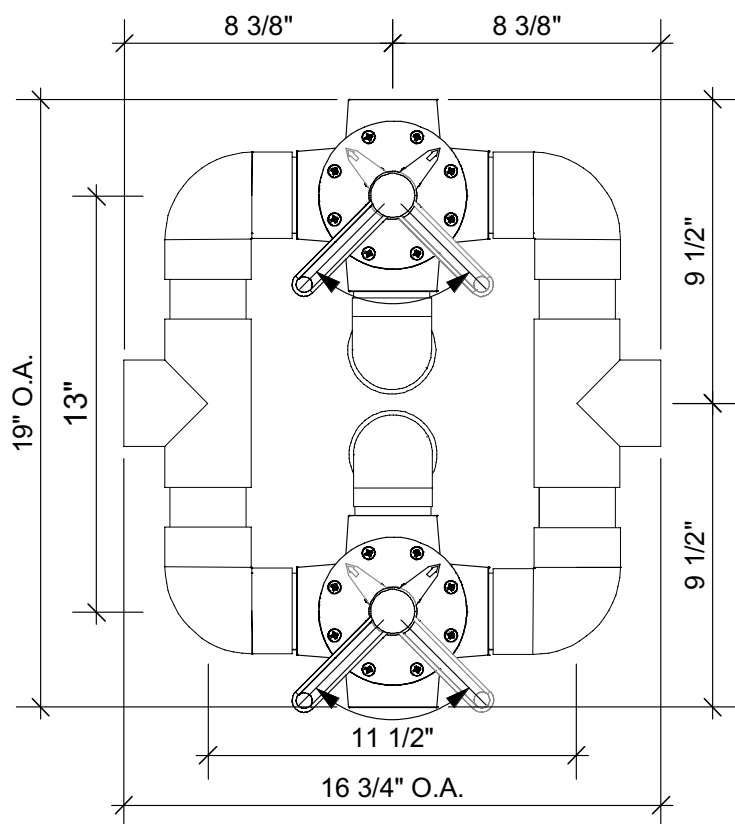
INTERNAL DIVERTER POSITIONS



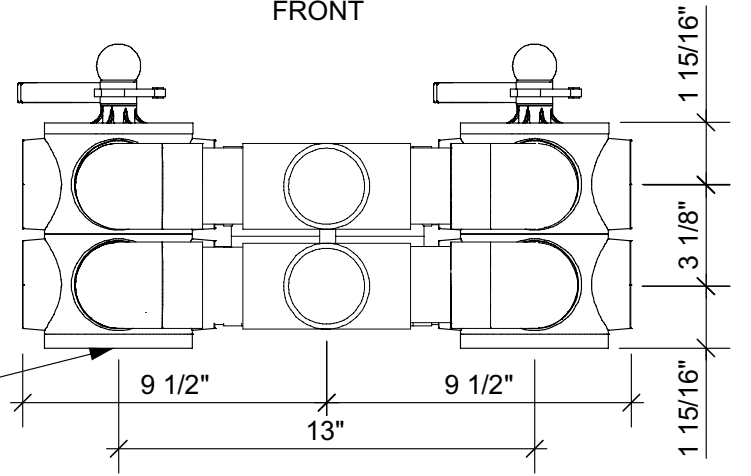
VALVE 1
VALVE 2

8" CLEARANCE
VALVE DIVERTER
REMOVAL FROM
VALVE BODY TOP

2" NOMINAL PIPE SIZE
SOLVENT/CEMENT
SOCKET 1 1/8" DEEP;
END TO CENTER 3.0";
PORT BORE 2.0" TYP.



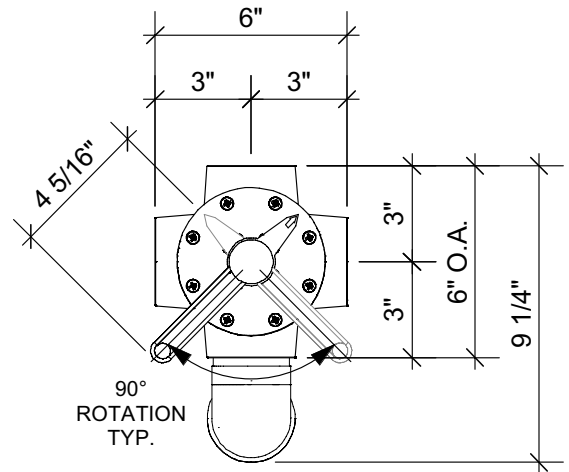
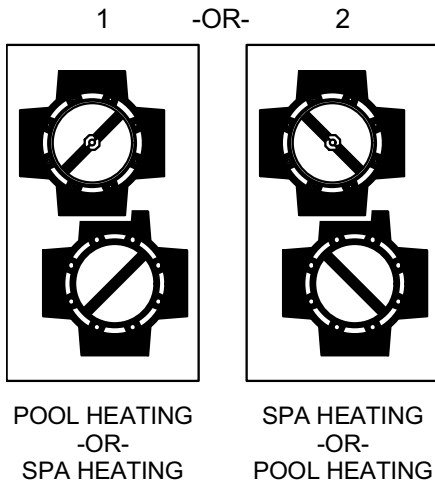
FRONT



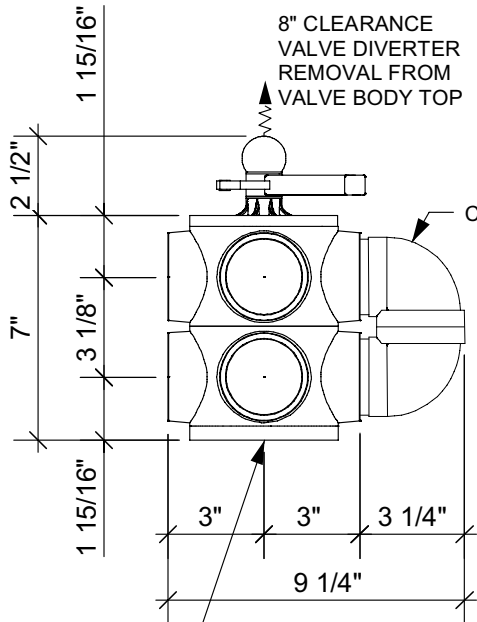
RIGHT

TOP
1/4"-20 FEMALE MOLDED-IN
THREADED INSERT
CENTER BOTTOM
0.2" MIN THREAD DEPTH
BOTH VALVES

INTERNAL DIVERTER POSITIONS



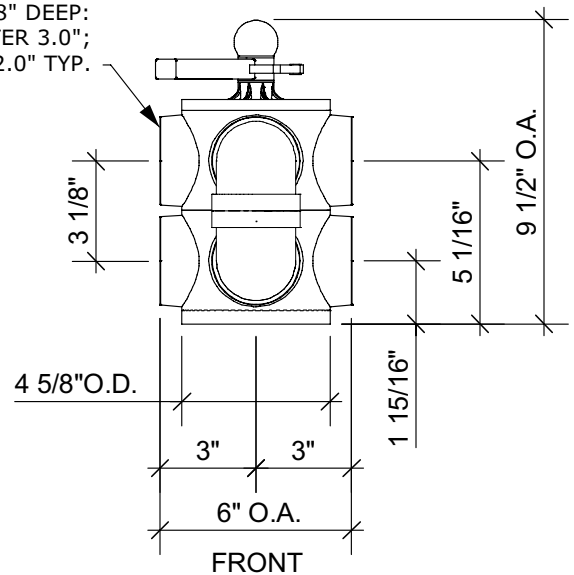
TOP



LEFT

1/4"-20 FEMALE MOLDED-IN
THREADED INSERT
CENTER BOTTOM
0.2" MIN THREAD DEPTH

2" NOMINAL PIPE SIZE
SOLVENT/CEMENT
SOCKET 1 1/8" DEEP:
END TO CENTER 3.0";
PORT BORE 2.0" TYP.



FRONT